

Medical gas devices

GIGANT/R automatic control module

Product description



Control module suitable for medical gas, with automatic switching and reset if one of the two sources is discharged, a reversing switch automatically supplies the system from the other source. The module consists of two GIGANT/R regulators, two pressure gauges, with a CW614N brass body and aluminum cap, an automatic reversing switch, two High Pressure shut-off valves and a Low Pressure shut-off valve for servicing. The inlet connection is specific for the gas used, the outlet is fitted with a Ø 22 mm weld-on pipe connector. Its maximum nitrogen capacity at 9 bar outlet pressure is 200 Nm³/h, 3333 NI/min. The two

pressure regulator High Pressure gauges have electrical contacts, are pre-calibrated with a 15 bar alarm threshold and can be connected to an alarm control unit to signal manifold empty. The control module is protected from atmospheric agents by a satin-finished AISI 316 steel box with transparent PLEXIGLAS windows for checking the pressure gauges and an optional alarm if installed. To facilitate wall mounting, all the components are installed on a satin-finish AISI 316 steel plate, which includes also the support for housing the control module alarm.

Normatives

UNI EN ISO 10524-2:2006 | UNI EN ISO 9001:2008 | UNI CEI EN ISO 14971:2012 | UNI CEI EN ISO 13485:2004 | UNI EN ISO 15001:2012

Components

Two GIGANT/R pressure regulators, the body of which is made of CW614N brass, aluminum cap and stainless steel pressure adjustment set screw.

N.Two overpressure discharge valves, integrated into the pressure regulators, made of CW614N brass.

N.Two gas-specific inlets.

N.One outlet with Ø22 mm weld-on pipe connector.

N.Two CW614N brass High Pressure shut-off valves.

N.Two Low Pressure shut-off valves for servicing.

N.Two pressure gauges on the High Pressure regulator with electrical contacts, range 0-315 bar, class 2.5.

N.Two pressure gauges on the Low Pressure regulator, range 0-16 bar, class 2.5.

N.Two sintered bronze inlet filters (filtration grade < 100 µm).

Stainless steel springs.

VITON O-Ring for O₂, NBR O-ring for other gases.

NYLON seal seat for O₂, TEFLON seal seat for other gases.

VITON O-Ring for O₂, NBR O-ring for other gases.

Nylon gaskets.

Satin-finish AISI 316 steel cover.

Satin-finish AISI 316 steel fixing plate.

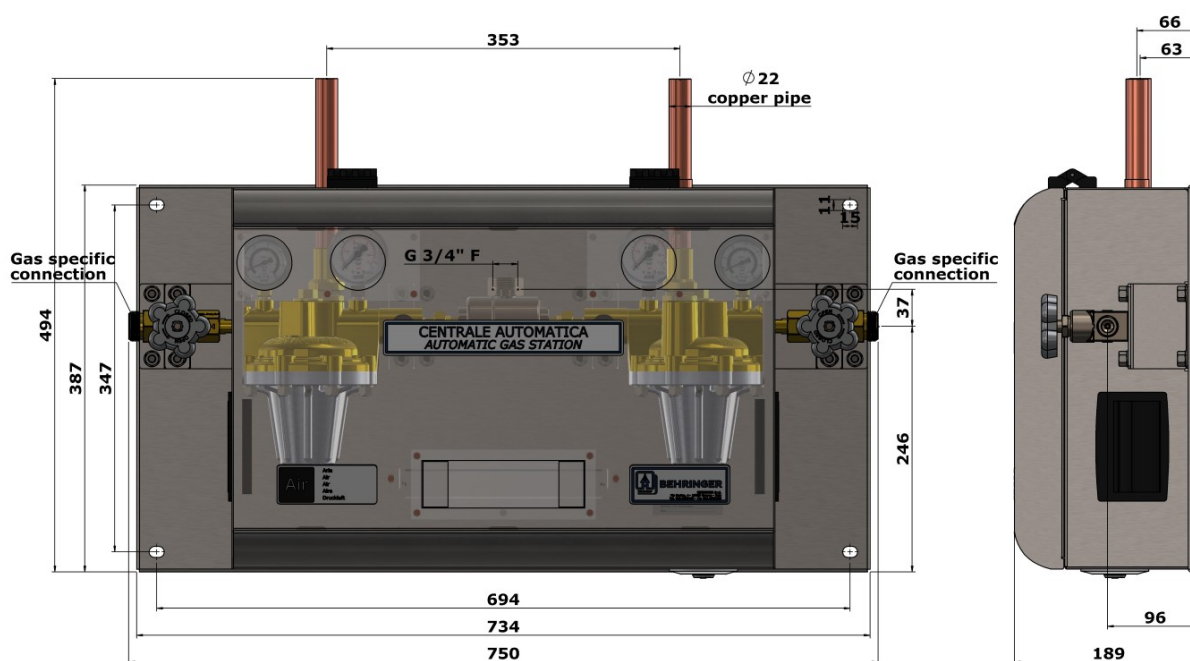
Product codes

GAS	CODE	CATALOGUE NO.
OXYGEN	HQ120	1244990/R
AIR	HQ121	1244996/R
NITROUS OXIDE	HQ122	1244997/R
CARBON DIOXIDE	HQ123	1244998/R
NITROGEN	HQ124	1244999/R

Technical data

CODE	Q max.	P ₁ max.	P ₂	INLET CONNECTION	OUTLET CONNECTION	WEIGHT
HQ120	200 Nm ³ /h	200 bar	9 bar	W21,7x1/14" 'A'	Ø 22 mm weld-on pipe	33,0 kg
HQ121	200 Nm ³ /h	200 bar	9 bar	W30x1/14" 'A'	Ø 22 mm weld-on pipe	33,0 kg
HQ122	200 Nm ³ /h	200 bar	9 bar	G3/8" 'A'	Ø 22 mm weld-on pipe	33,0 kg
HQ123	200 Nm ³ /h	200 bar	9 bar	W27x2 'A'	Ø 22 mm weld-on pipe	33,0 kg
HQ124	200 Nm ³ /h	200 bar	9 bar	W21,7x1/14" 'B'	Ø 22 mm weld-on pipe	33,0 kg

Technical Images



Behringer S.r.l. via Gualco 4, 16165 Genova ITALY

T +39 010 8309103

F +39 010 8309183

e-mail info@behringer.it

C.F. e P.I. 01167840998

